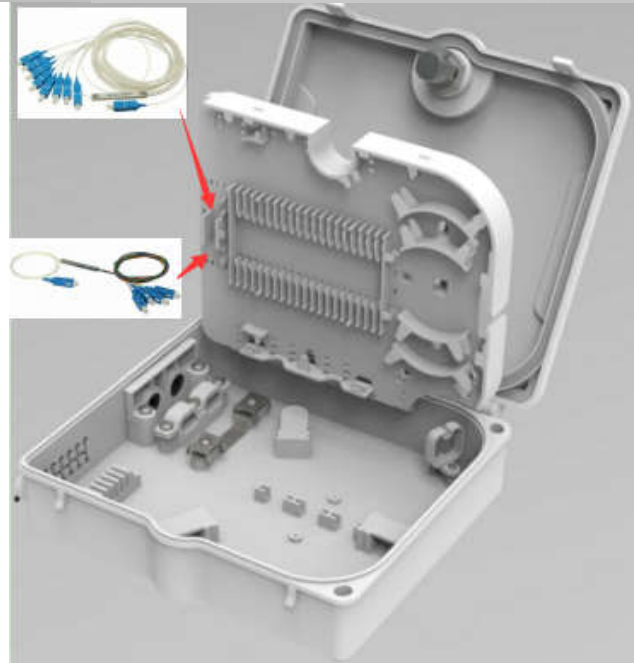


Fiber Optic Terminal Box

FDB-212BE

Fiber optic terminal box FDB-212BE is a box for fiber terminal distribution in optical fiber transmission and communication network. It can be 12 fibers splicing, protection and distribution.



Features :

- Material: ABS plastic.IP65
- Rainfall resistant, IP65 outdoor using.
- Can load 12pcs SC simplex adapters.
- Wall mounting and pole mounting application.
- Can accommodate 1x4,1x8 PLC splitter.
- 2pcs cable entry ports
(Max. cable diameter 12mm)
- 12pcs exit ports for FTTH drop cable
- Max splice capacity:20 fiber
- Cable entry without cutting;

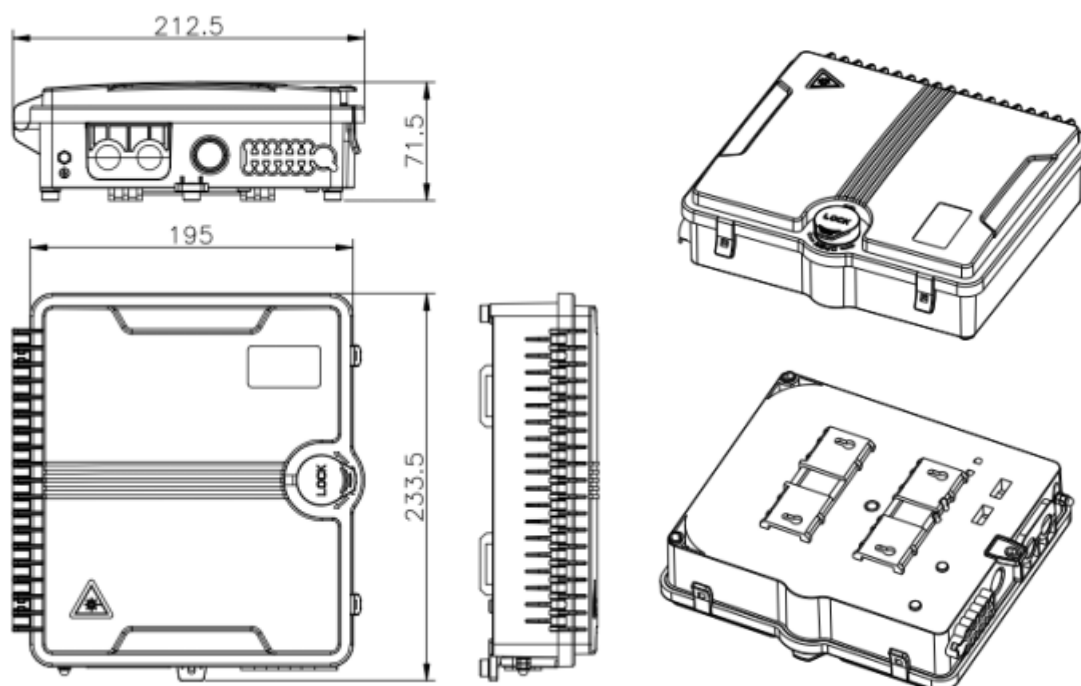
Specification:

Model	Capacity	Dimension	Remark	Outer carton size (10pcs/CTN)
FDB-212BE	12 ports	L233.5*W210*H70.5mm	1 rotary splice tray	46*42*26cm

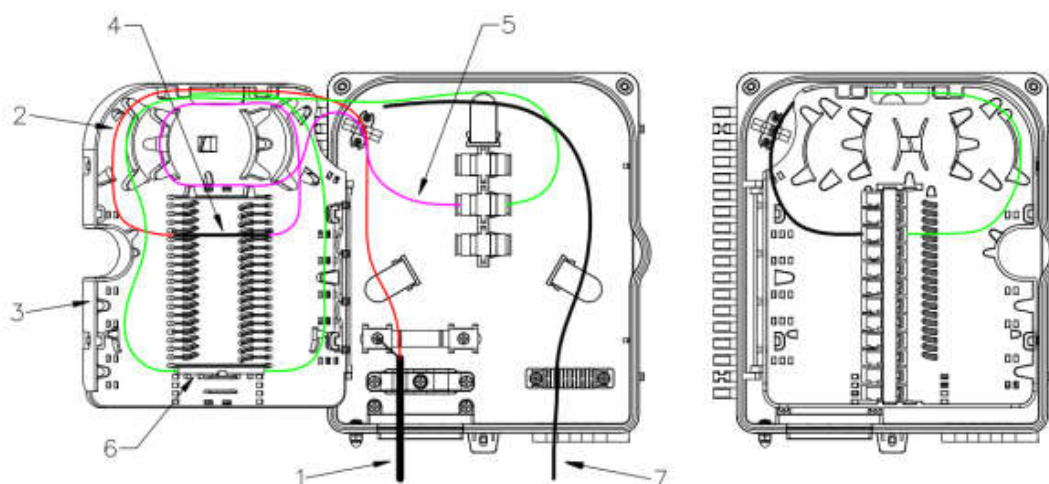
Application

- FTTH access network.
- Telecommunication Networks
- CATV Networks
- Data communications Networks

Drawings (mm):L233.5*W212.5*H71.5mm



Installation drawing:





- 1、Fiber 2、Stripped optical cable 3、Rotary splice tray
4、Splice sleeve 5、Pigtails 6、Micro splitter 7、FTTH drop cable

Accessories list:

Item	Name	Description	Unit	Quantity
1	Splice sleeve	60mm*3.0*1.5	pcs	According the cores in the order
2	Cable tie	3mm*120mm/white	pcs	10
3	Round head tapping screw	C type/4*30/ iron/bright chrome	pcs	3
4	Plastic expansion pipe	Φ6mm/plastic/white	pcs	3