

FDB-208AE Fiber optic Splitter Terminal Box



Features:

- Industry Standard User Interface, be made of high impact ABS plastic. Indoor&outdoor application
- Can accommodate 1x4,1x8 PLC splitter.
- Up to 8 FTTH drops.
- wall mounting and pole mounting application.
- 2 inlet ports,8 outlet ports

Application

- widely used in FTTH access network.
- Telecommunication Networks
- CATV Networks
- Data communications Networks
- Local Area Networks

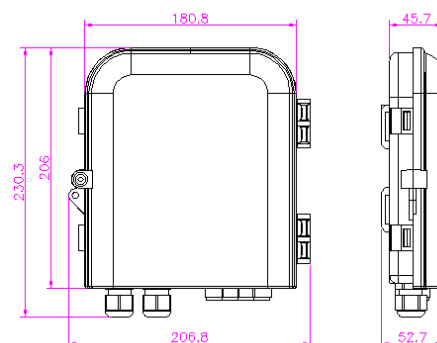
Parameter:

Model	Capacity	N.W (kg/pcs)	Size(WXDXH)	Packing
FDB-208AE	8 cores	0.70	181x45x207mm	10pcs/ctn,size:47*35*27cm;7.2kg/ctn

Accessories:



Dimension drawing:



**Note: We will supply wall-mount accessories in the accessories package.
Pole-mount accessories need buy separately.**